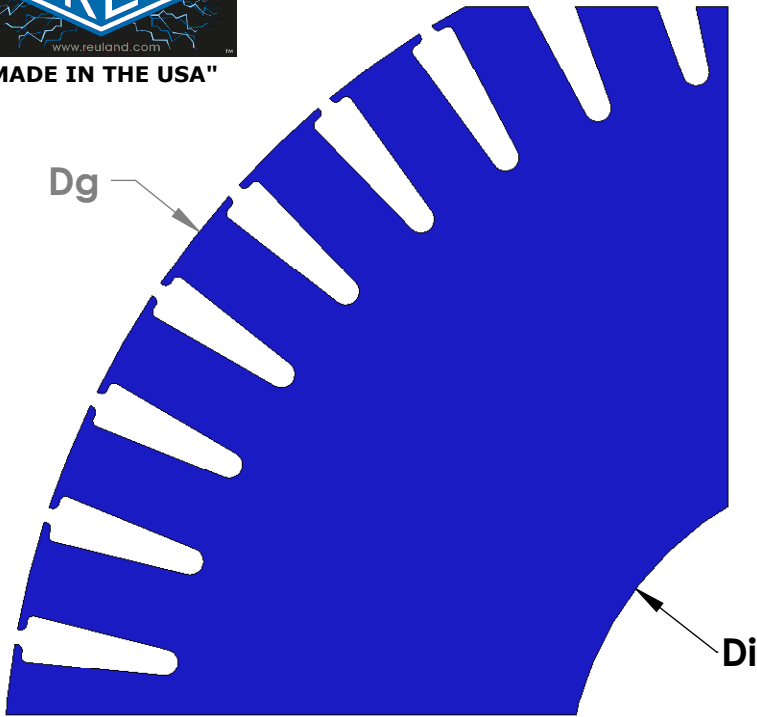
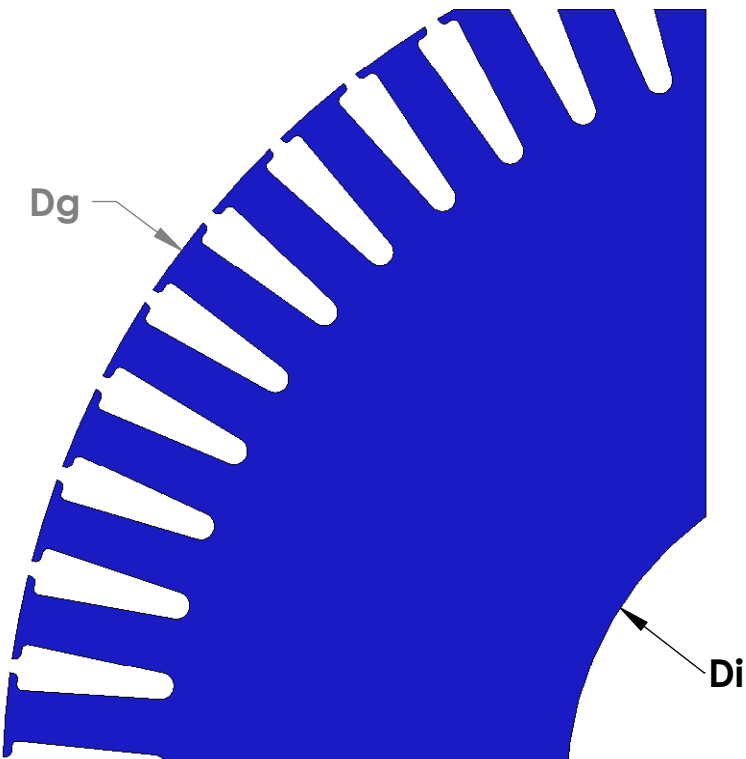
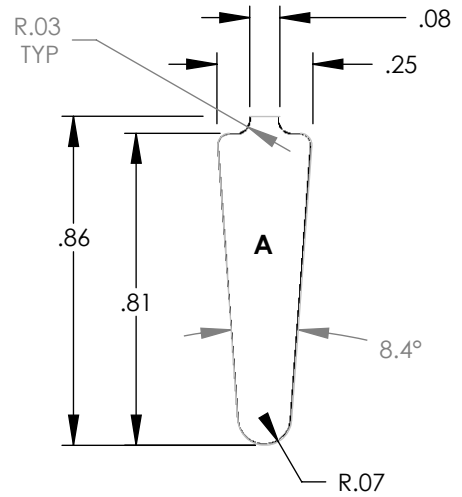




"MADE IN THE USA"



| ROTOR   | SLOT<br>O | CHARACTERISTICS |                |    |       |
|---------|-----------|-----------------|----------------|----|-------|
|         |           | D <sub>g</sub>  | D <sub>i</sub> | N  | A     |
| 42767-G |           | 9.38            | 3.00           | 45 | 0.156 |



| ROTOR   | SLOT<br>O | CHARACTERISTICS |                |    |       |
|---------|-----------|-----------------|----------------|----|-------|
|         |           | D <sub>g</sub>  | D <sub>i</sub> | N  | A     |
| 42745-F |           | 9.38            | 2.75           | 57 | 0.156 |
| 42745-G |           | 9.38            | 3.00           | 57 | 0.156 |

NOTE: CORES ARE WELDED  
NOT TO SCALE

MATERIAL: SILICON STEEL  
DIMENSIONS: INCHES

**REULAND ELECTRIC CO.**  
INDUSTRY, CA HOWELL, MI CINCINNATI, OH

[www.reuland.com](http://www.reuland.com)

Copyright © 2009 Reuland Electric Co. 2009. All Rights Reserved.